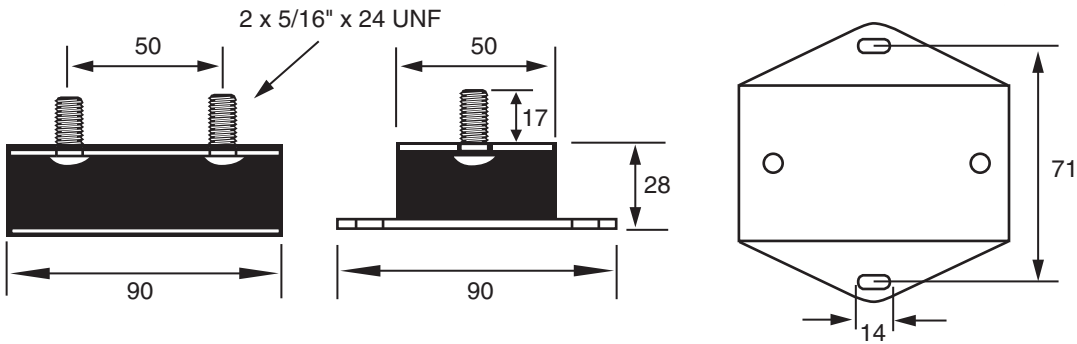
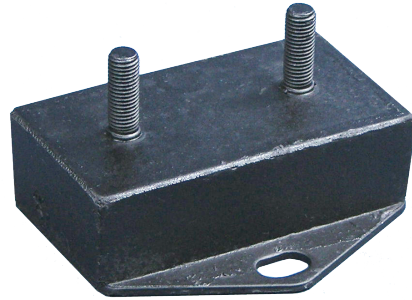


## GENERAL MACHINERY

These isolators have been engineered to meet various vibratory problems found within industry and are easily applied to a variety of applications.

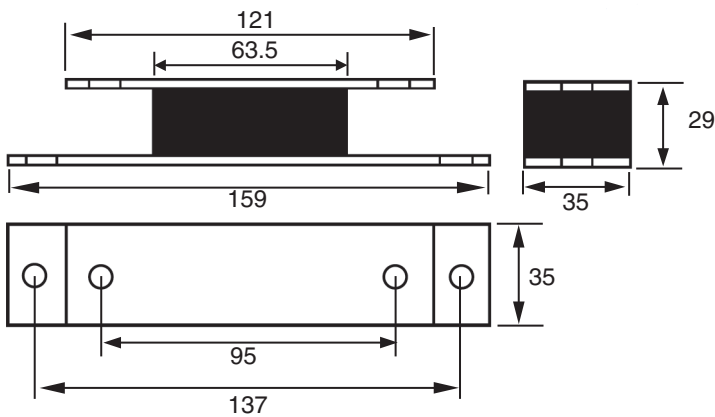
- FEATURES :**
- All angle flexibility.
  - Maximum durability.
  - Ease of selection.
  - Ease of installation.
  - Designed for stability.
  - Increased service life on equipment.

### M181

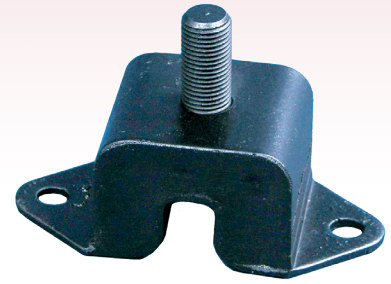
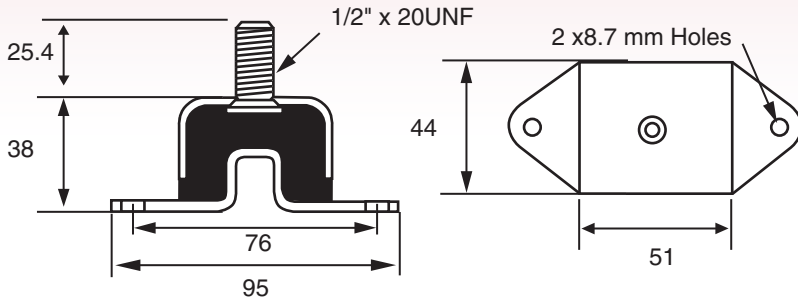


Load Rating at 3mm Deflection Compression 230 Kg Shear 30Kg

### M183

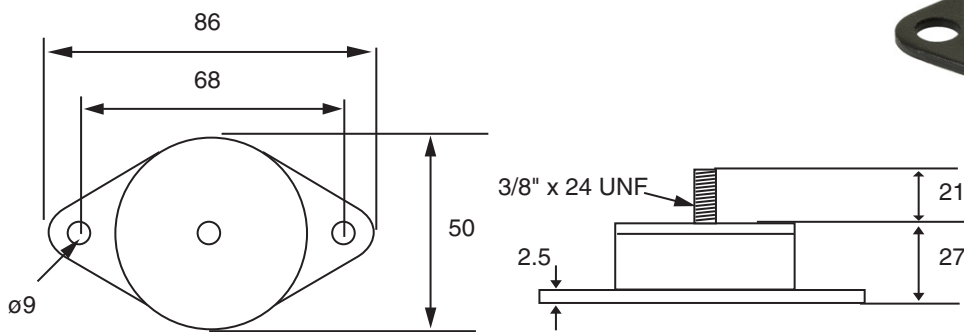


## M184

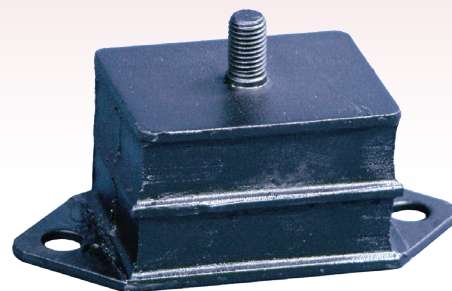
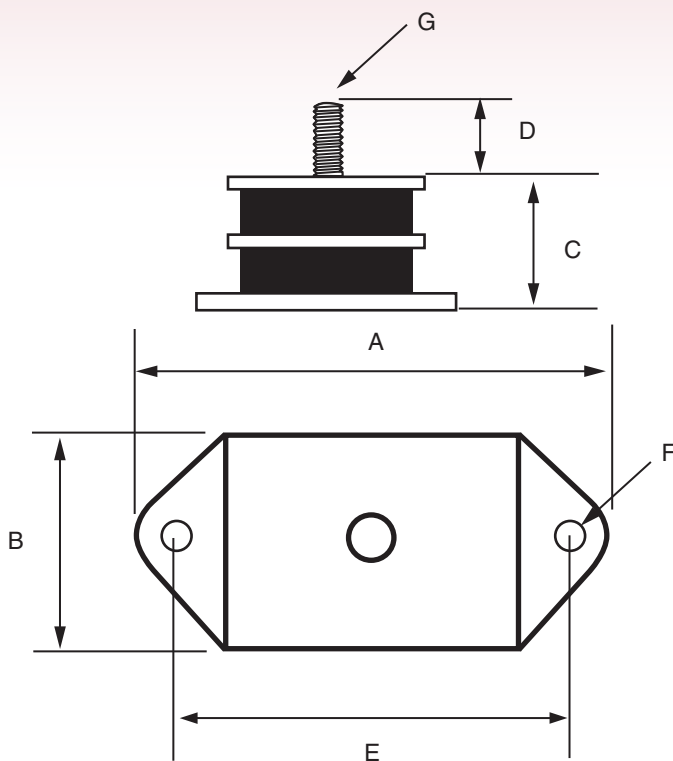


Part No.	COMPRESSION		SHEAR		Weight Kg
	LOAD Kg	DEF mm	LOAD Kg	DEF mm	
M181	125	1.6	15	1.5	0.3
	150	1.9	20	2.0	
	175	2.3	25	2.5	
	200	2.6	30	3.0	
	230	3.0			
M183	50	1.4	5	1.1	0.3
	75	2.0	10	2.3	
	100	2.7	13	3.0	
	110	3.0			
M184	200	1.7			0.3
	250	2.1			
	300	2.6			
	350	3.0			

## M21345



Part No.	COMPRESSION		SHEAR		Weight Kg
	LOAD Kg	DEF mm	LOAD Kg	DEF mm	
M21345	26	1.0	5	1.0	0.2
	56	2.0	11	2.0	
	85	3.0	15.5	3.0	
			20.4	4.0	



Part No.	A	B	C	D	E	F	G	LOAD in Kg		DEF in mm		DURO	Weight Kg
								COMP	SHEAR	COMP	SHEAR		
M8040645	94	41	36	15	74.5	8.5	5/16" UNF	35-95	14-43	1.0-2.8	5.0-15.0	45	0.2
M8040660	94	41	36	15	74.5	8.5	5/16" UNF	65-175	27-70	1.0-2.8	5.0-12.0	60	0.2
M8040670	94	41	36	15	74.5	8.5	5/16" UNF	95-275	42-120	1.0-2.8	5.0-14.0	70	0.2

## COLOUR CODE:

Duro	Colour
45	Red
60	White
70	Marked 70