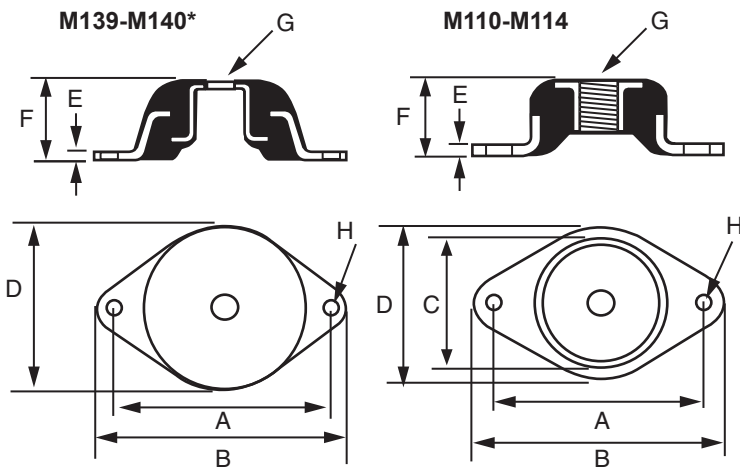


FLANGE ISOLATORS

These special isolators were developed to meet almost every type of machinery installation within the loading range, with telescopic metal inserts providing considerable stability in all directions. The two light duty isolators, M110 and M114 are equipped with upper metal inserts, tapped to receive standard bolts or set screws. The isolators can be fastened to the floor or other base, with bolts through the two lugs of the lower metal stamping. When using the heavy duty isolators M139 and M140, loads can be suspended as well as supported.

Interlocking flanges incorporated in M139 and M140 isolators ensure suspension even if the rubber is completely destroyed by fire, etc.



M139-M140*



M110-M114



* ALSO AVAILABLE IN STAINLESS STEEL
M13960SS (type 316), M14060SS (type 304)



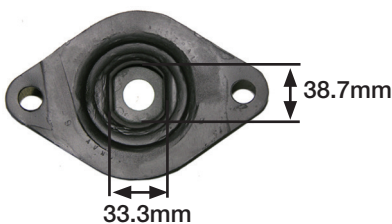
M189 Shield

Part No.	A	B	C	D	E	F	G	H	Weight Kg
M110##	60.3	76	41	48	3	22	7/16"-20UNF	8.7	0.1
M114##	76.1	92	57	60	3	29	1/2"-20UNF	8.7	0.2
M140##	110.0	141	--	83	3	41	17/32"	13.5	0.4
M139##	127.0	157	--	102	3	48	13/16"	14.2	0.6

Note ! ## denotes duro refer to the load deflection chart for complete Part Number

BOLT HEAD RECESS DETAILS

M139



3/4" Whit A/F=32mm

M140



Hex (19.2mm) A/F

Part Nos. M114 and M140 are available with a shield (Part No. M189) to protect the isolators from mechanical and chemical attack. Order if required. M189 = 0.06Kg

COLOUR CODE

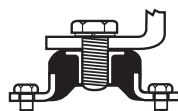
DURO	COLOUR
40	Red
50	Yellow
60	White
70	Marked 70

SUGGESTED METHODS OF MOUNTING

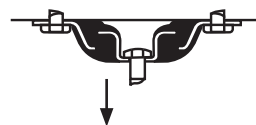
Tandem Series



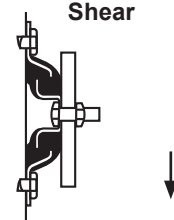
Compression Series



Tension



Shear



VIBRATION ISOLATORS

To assist the isolation system designer we have provided the approximate deflections of Mackay isolators at various static loadings. It therefore becomes a simple matter to obtain the isolation efficiency by referring to the Mackay graph on “disturbing frequencies/deflections” (Shown in our current Flexible Isolator Catalogue). If you require any further technical data on Mackay isolators, please contact the Mackay Technical Department.

LOAD / DEFLECTION CHART

Part No.	Compression		Shear		Part No.	Compression		Shear	
	Load Kg	DEF mm	Load Kg	DEF mm		Load Kg	DEF mm	Load Kg	DEF mm
M11040	25	2.3	20	2.2	M13960	725	3.6	400	3.4
	30	2.8	25	2.7		750	3.7	425	3.6
	35	3.2	30	3.3		775	3.8	450	3.8
	40	3.7	35	3.8		800	3.9	475	4.0
M11050	40	2.5	35	2.5		825	4.1	500	4.2
	45	2.8	40	2.8		850	4.2	525	4.4
	50	3.2	45	3.2		875	4.3	550	4.6
	55	3.5	50	3.5		900	4.4		
M11060	31	1.0	21	1.0	M13970	1100	3.5	550	3.1
	60	2.0	54	2.0		1125	3.6	575	3.3
	85	3.0				1150	3.7	600	3.5
						1175	3.8	625	3.7
M11440	40	2.4	25	2.3		1200	3.9	650	4.0
	45	2.7	30	2.8		1225	4.0	675	4.2
	50	3.0	35	3.2		1250	4.1	700	4.4
	55	3.3	40	3.7		1275	4.2	725	4.5
M11450	60	2.4	40	2.4	M14040	200	3.3	100	3.3
	65	2.6	45	2.7		210	3.5	110	3.7
	70	2.8	50	3.0		220	3.7	120	4.0
	75	3.0	55	3.3		230	3.9	130	4.3
	80	3.2	60	3.6		240	4.0	140	4.7
	85	3.4				250	4.2		
						260	4.3		
						270	4.5		
M11460	90	2.4	60	2.6	M14050	280	3.6	120	3.2
	95	2.6	65	2.8		290	3.7	130	3.5
	100	2.7	70	3.0		300	3.8	140	3.7
	105	2.8	75	3.2		310	3.9	150	4.0
	110	3.0	80	3.4		320	4.1	160	4.3
	115	3.1				330	4.2	170	4.5
	120	3.2				340	4.3	180	4.8
	125	3.4				350	4.4		
M13940	400	3.4	150	3.0	M14060	350	3.3	160	3.6
	425	3.6	175	3.5		375	3.5	170	3.8
	450	3.8	200	4.0		400	3.8	180	4.0
	475	4.0	225	4.5		425	4.0	190	4.2
	500	4.2	250	5.0		450	4.2	200	4.4
	525	4.4				475	4.5		
	550	4.6				500	4.7		
M13950	550	3.5	250	3.1	M14080	650	3.4	200	3.3
	575	3.6	275	3.4		675	3.5	210	3.5
	600	3.8	300	3.7		700	3.7	220	3.7
	625	3.9	325	4.0		725	3.8	230	3.8
	650	4.1	350	4.3		750	3.9	240	4.0
	675	4.2	375	4.6		775	4.1	250	4.2
	700	4.4	400	4.9		800	4.2	260	4.3
	725	4.5				825	4.3	270	4.5
				850	4.5	280	4.7		
				880	4.6				