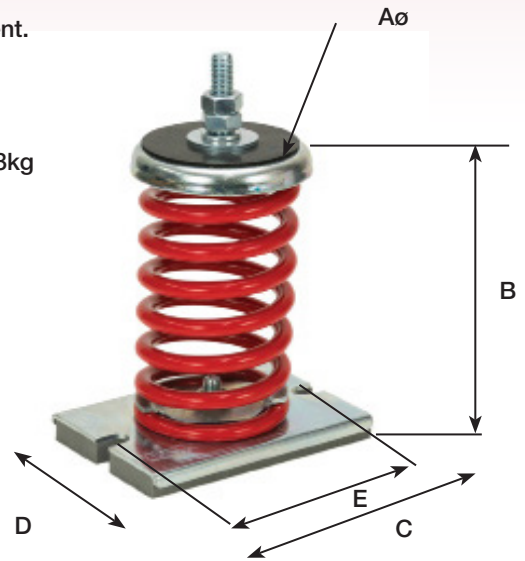
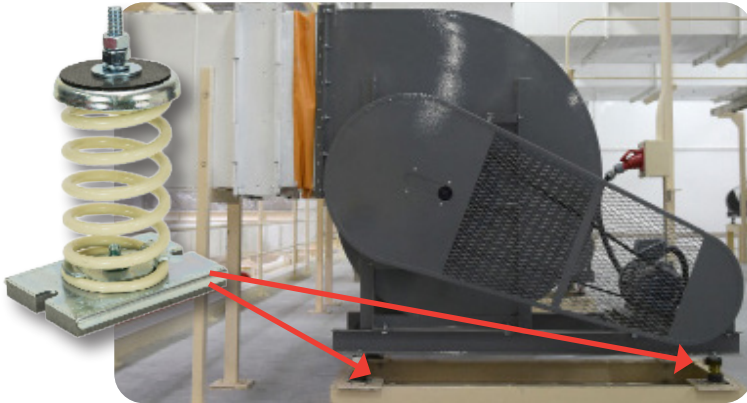


SPRING MOUNTS

Free Standing Spring Mounts

Spring mounts used with inertia bases or directly connected to equipment.

- Low natural frequency suitable for low frequency isolation
- Cellular Polyurethane base pad for increased noise reduction
- M12 adjustable stud for levelling of equipment
- Generally used at 50% deflection at point loads from 34kg to 168kg

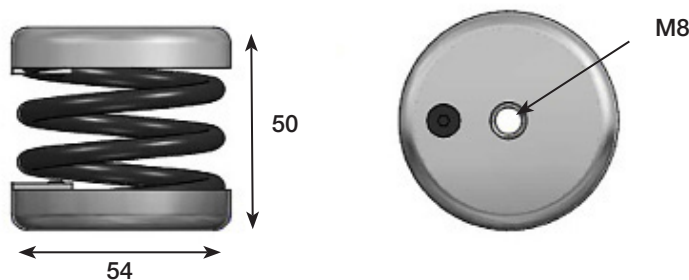


Type	Max. Permanent Load KG	Max. Deflection mm	Spring Colour	Weight g	A mm	B mm	C mm	D mm	E mm	Thread	Natural Frequency @ 50% Max Load Hz	Natural Frequency @ Max Load Hz
MSM67	67	50	Blue	1,480	90	172	140	100	120	M12	2.8	2.0
MSM95	95	50	White	1,530	90	172	140	100	120	M12	2.8	2.0
MSM123	123	50	Black	1,560	90	172	140	100	120	M12	2.8	2.0
MSM173	173	50	Beige	1,650	90	172	140	100	120	M12	2.8	2.0
MSM223	223	50	Red	2,010	90	172	140	100	120	M12	2.8	2.0
MSM335	335	50	Grey	2,320	90	172	140	100	120	M12	2.8	2.0

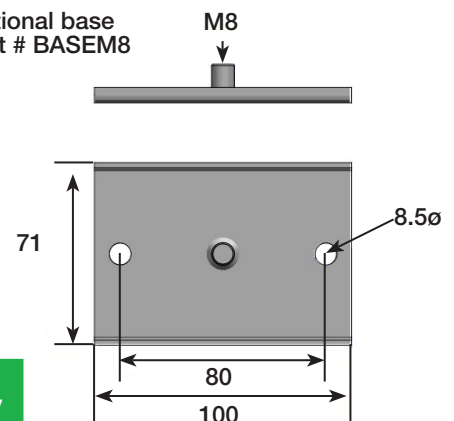
BASE SERIES

A small spring mount for loads up to 100 kg. With Natural frequencies down to 6Hz, base mounts provide a transition mount between rubber and steel coil spring types. Select these mounts when frequencies are lower and damping is not specifically an issue.

Using the optional base will provide greater free standing ability.



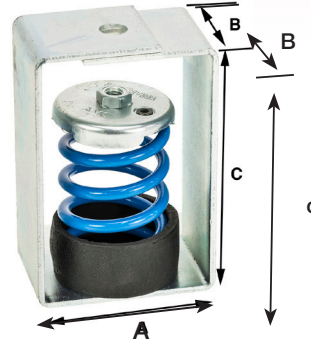
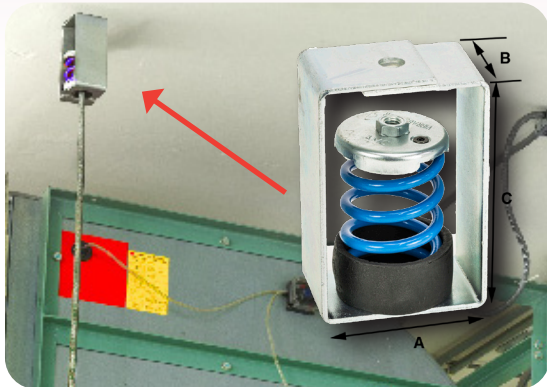
Optional base
Part # BASEM8



Type	Max. Permanent Load kg	Max. Deflection mm	Weight g	Natural Frequency @ 50% Max Load Hz	Natural Frequency @ Max Load Hz
MBSM10	10	6	200	9.0	6.5
MBSM25	25	7	205	8.5	6.0
MBSM50	50	7	254	8.5	6.0
MBSM75	75	7	260	8.5	6.0
MBSM100	100	7	290	8.5	6.0

SUSPENSION SPRING MOUNTS

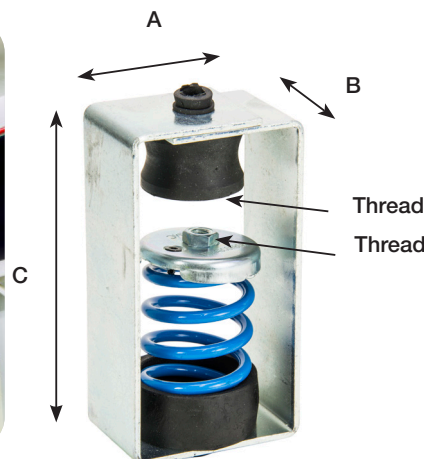
Used for suspension in air-handling, pipework or similar applications.



Type	Max. Permanent Load kg	Max. Deflection mm	Spring Colour	Weight g	A mm	B mm	C mm	Thread	Natural Frequency @ 50% Max Load Hz	Natural Frequency @ Max Load Hz
MCSM25	25	21	Black	710	75	50	120	M8	6.0	3.5
MCSM50	50	22	Blue	710	75	50	120	M8	5.5	3.5
MCSM75	75	22	Grey	720	75	50	120	M8	5.0	3.5
MCSM100	100	22	Beige	780	75	50	120	M8	5.0	3.5
MCSM125	125	21	White	1,100	75	50	120	M8	5.0	3.5
MCSM150	150	32	Blue	2,040	120	80	160	M12	4.5	3.0
MCSM200	200	30	White	2,070	120	80	160	M12	4.5	3.0
MCSM250	250	32	Black	2,150	120	80	160	M12	4.5	3.0
MCSM350	350	32	Cream	2,330	120	80	160	M12	4.5	3.0

SUSPENSION SPRING MOUNTS - INTEGRAL RUBBER ISOLATOR

Used for suspension in air-handling, pipework or similar applications. Additional of rubber element to provide improvements in isolation of noise.



Type	Max. Permanent Load kg	Max. Deflection mm	Spring Colour	Weight g	A mm	B mm	C mm	Thread - Spring Cap	Thread - Rubber Cushion	Natural Frequency @ 50% Max Load Hz	Natural Frequency @ Max Load Hz
MCSR25	25	24	Black	900	75	50	150	M8	M8	6.0	3.5
MCSR50	50	25	Blue	900	75	50	150	M8	M8	5.5	3.5
MCSR75	75	26	Grey	900	75	50	150	M8	M8	5.0	3.5
MCSR100	100	27	Beige	900	75	50	150	M8	M8	5.0	3.5
MCSR125	125	19	White	900	75	50	150	M8	M8	5.0	3.5