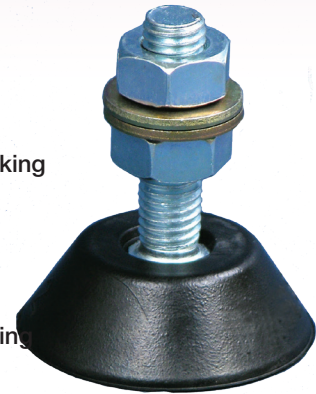


MINIFIX ISOLATOR

MINIFIX is a machine support that is composed of a rubber foot with a grooved anti-slip base and a threaded stud which allows equipment to be accurately adjusted.

- ANTI-VIBRATION
- RELIABLE
- ECONOMICAL

MINIFIX is produced in two rubber hardnesses and is supplied complete with locking nuts and washers.



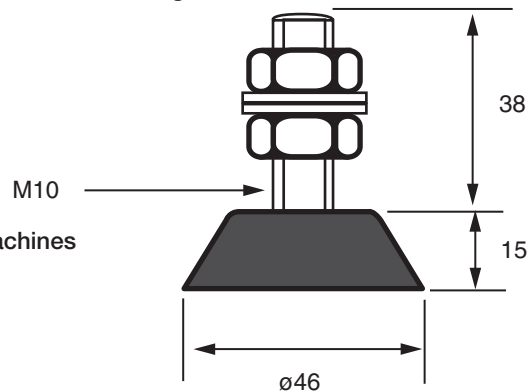
Simple and economical the MINIFIX machine foot is of particular use in the following applications ;

- ELECTRONIC CABINETS
- LABORATORY EQUIPMENT
- AGRICULTURAL EQUIPMENT
- PACKING MACHINERY
- SURVEYING EQUIPMENT
- MEASURING EQUIPMENT
- DOMESTIC APPLIANCES
- ELECTRICAL INSTALLATIONS
- FOOD PROCESSING MACHINES
- FACTORY EQUIPMENT

For larger load ratings please refer to our range of SUREFOOT machine levelling Isolators.

ADVANTAGES;

- No floor bolting required
- Controls noise, shock and vibration
- Save on installation and relocation
- Fast, simplified and precise levelling of all machines
- Compensates for uneven floors



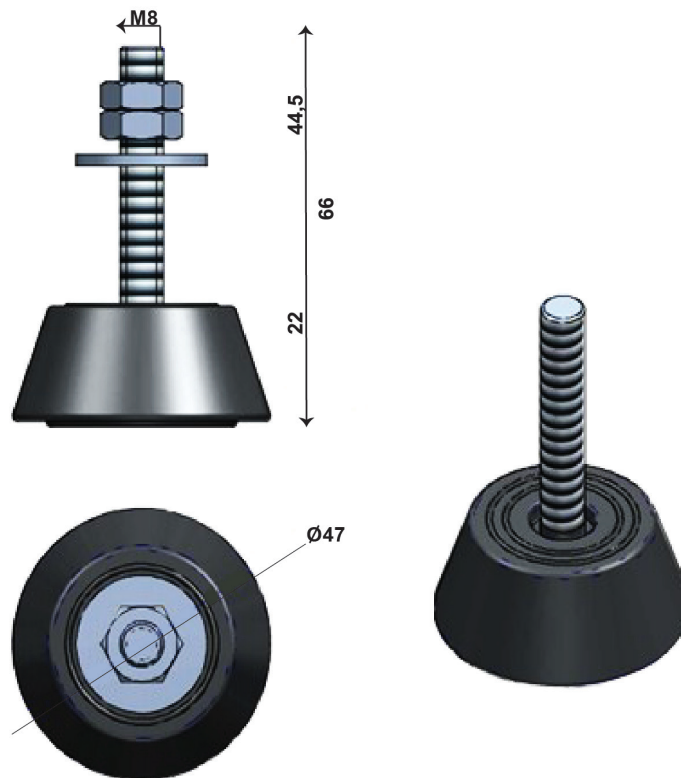
MULTI BUFFER



Part No.	COLOUR	Material	LOAD RATING kgs	RECOMMENDED LOAD (N)	DYNAMIC STIFFNESS (kN/M)	DURO	Weight Kg
M53080550	GREY	SBR (1)	30-40	300-400	570-660	50	0.1
M53080580	BLACK	Nitrile (2)	80-100	800-1000	5500-5800	80	0.1

- (1) **POOR** resistance to Fuel, Oil & Grease
 (2) **GOOD** resistance to Fuel, Oil & Grease

ADJUSTABLE FEET ISOLATORS



S40 TYPE

LOAD Kg	WEIGHT	MACKAY PART #	QTY
5-45	281	M649017KIT	4