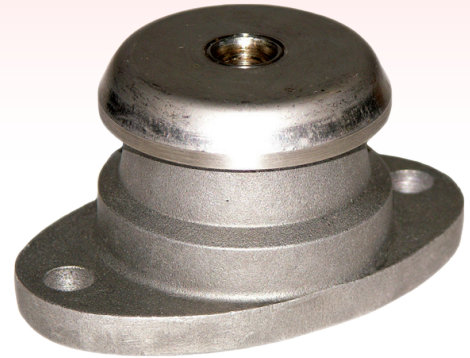


## PEDESTAL ISOLATORS

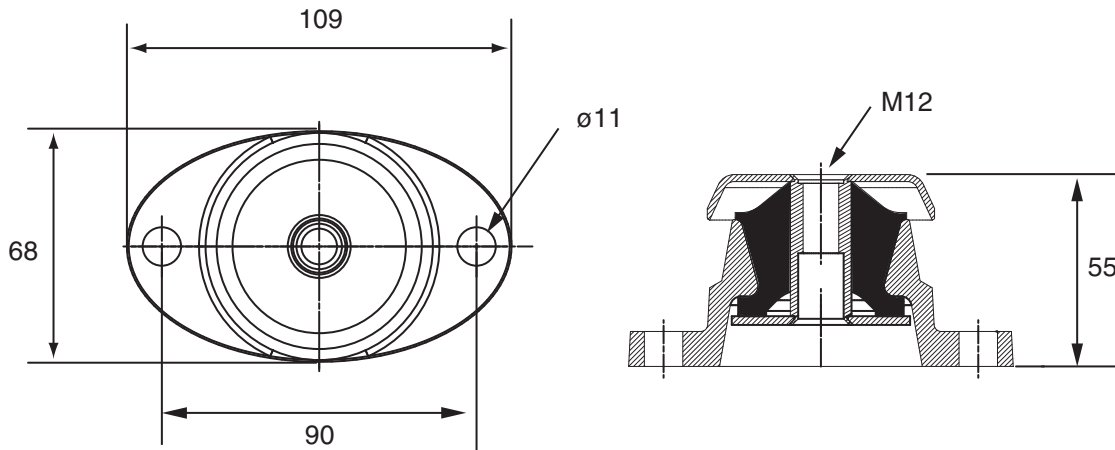
The Mackay pedestal mounting combines excellent isolation characteristics with convenient installation features, making it ideal for a wide variety of common installations.

It is typically employed for mounting pumps, compressors, fans, and other machinery, in static and some mobile applications.

Design features include security against excessive overload and rebound movement, a protective stainless steel cover and an attractive lightweight cast aluminium base.



### INTEGRAL OVERLOAD AND REBOUND WASHERS



Part No	Normal Load Kg	Deflection at normal Load mm	Weight Kg
M70150	90	6	0.4
M70165	180	6	0.4

\* Duro rating stamped on base