

V - SHAPED (MARINE)

DESCRIPTION

The V-shaped marine mount works the elastomer at shear compression. It is comprised of 2 metal parts which permit its installation by means of a screw at the top and two holes for securing it to the chassis.

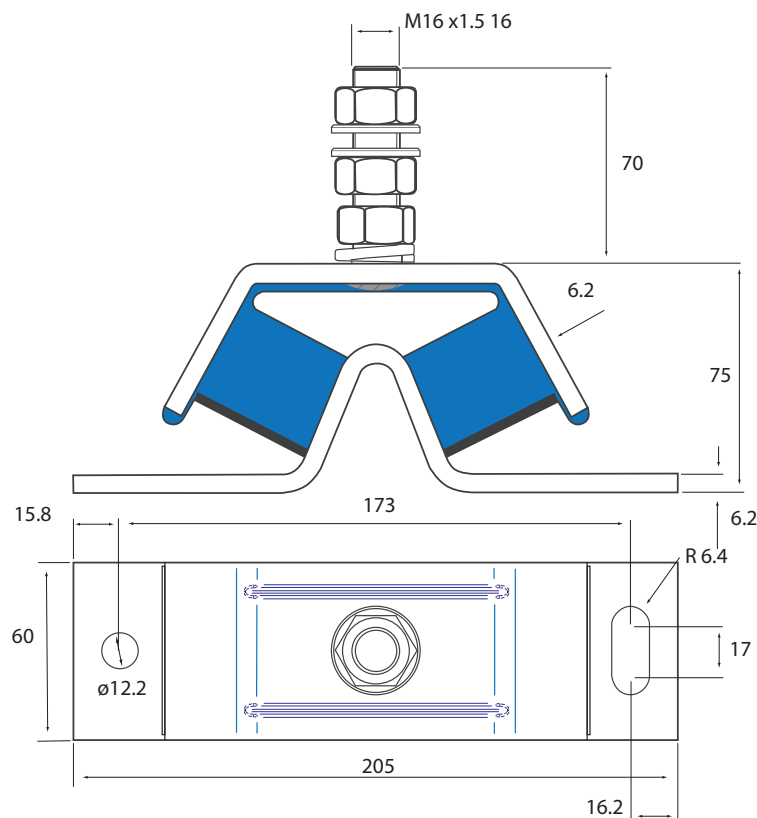
TECHNICAL CHARACTERISTICS

The V-shaped marine mount has a V-shaped architecture to provide major deflection at low loads. This means that the natural frequency is low and ideal for engines which normally work ticking over.

It has three different stiffnesses per axis X,Y,Z to be able to adjust the modes of the suspended unit to obtain an optimal isolation.

DESCRIPTION

It is used in applications where the load of the suspended unit is low and the level of vibration isolation is high, such as:
Small vehicle or machines, small and medium-sized gen sets, marine engines...



Part No.	Duro	Load Kg	Static Deflection mm	Weight Kg
M148001	40	40	6	1.7
M148003	50	75	6	1.7
M148004	60	100	6	1.7
M148006	70	150	5	1.7