

BRB ISOLATORS

Replaces RAEM Isolators

DESCRIPTION

The BRB type mounts are anti vibration elements which work the rubber in shear and compression. Their tall height profiles produce large deflections, low natural frequencies, and excellent vibration isolation results. This range of mounts is suitable for applications where high vibration isolation in the 85-95% range is a priority.

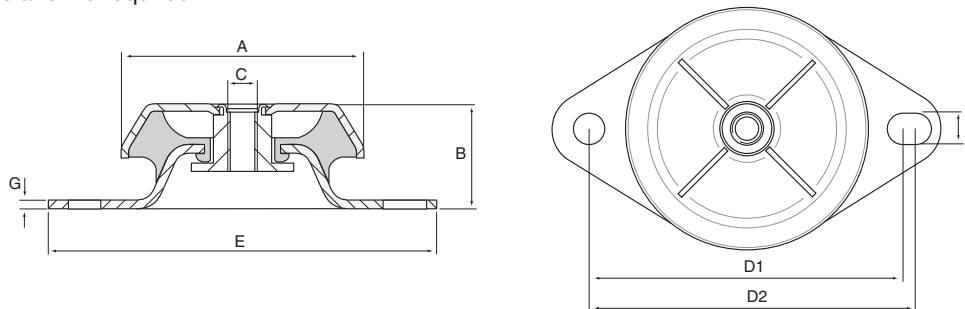


TECHNICAL CHARACTERISTICS

- The top metal hood protects the rubber from the Ozone, UV rays, diesel or oils which damage the rubber.
- The metal parts have a suitable anticorrosive treatment for outdoor applications.
- They have an interlocking metal component that provides a fail-safe protection for mobile applications. This device limits the ascending vertical movement when the mounting is submitted to shocks at traction.
- The mounts are clearly identified, as the bases are engraved with the type and hardness, which makes it possible to easily recognise the piece even after several years of use.
- The hood has a cross stamped on the top, which enhances its rigidity on mobile applications and also improves the evacuation of oils or liquids that precipitate onto it.

APPLICATIONS

This mount is suitable for the isolation of mobile rotating machines which are exposed to axial and radial shocks, dripping, oil diesel or exposure to the weather. It is particularly interesting for applications where a high level of vibration isolation is required.



Part No.	Duro	A	B	C	D1 (min)	D2 (max)	E	F	G	Load Kg	Static Deflection mm	Weight Kg
M135451	40	50	25	M8	63	70	85	6.5	2	20	4.0	0.1
M135453	50	50	25	M8	63	70	85	6.5	2	40	4.0	0.1
M135455	60	50	25	M8	63	70	85	6.5	2	60	4.0	0.1
M135251	40	65	35	M12	100	100	120	11	3	50	4.0	0.25
M135252	50	65	35	M12	100	100	120	11	3	75	4.0	0.25
M135253	60	65	35	M12	100	100	120	11	3	125	4.0	0.25
M135275	40	83	35	M12	108	110	130	11	3	80	4.0	0.39
M135276	50	83	35	M12	108	110	130	11	3	130	4.0	0.39
M135277	60	83	35	M12	108	110	130	11	3	180	4.0	0.39
M135278	70	83	35	M12	108	110	130	11	3	230	4.0	0.39
M135241	40	106	41	M12	136	150	170	12.5	3.5	200	7.0	0.85
M135242	50	106	41	M12	136	150	170	12.5	3.5	300	7.0	0.85
M135243	60	106	41	M12	136	150	170	12.5	3.5	425	7.0	0.85
M135244	70	106	41	M12	136	150	170	12.5	3.5	475	5.5	0.85
M135331	40	106	41	M16	136	150	170	12.5	3.5	200	7.0	0.85
M135332	50	106	41	M16	136	150	170	12.5	3.5	300	7.0	0.85
M135333	60	106	41	M16	136	150	170	12.5	3.5	425	7.0	0.85
M135334	70	106	41	M16	136	150	170	12.5	3.5	475	5.5	0.85