

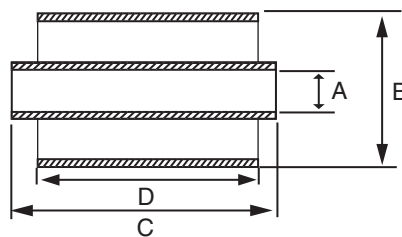
FLEXIBLE BEARINGS

RIGID HOUSING INTERFERENCE FIT

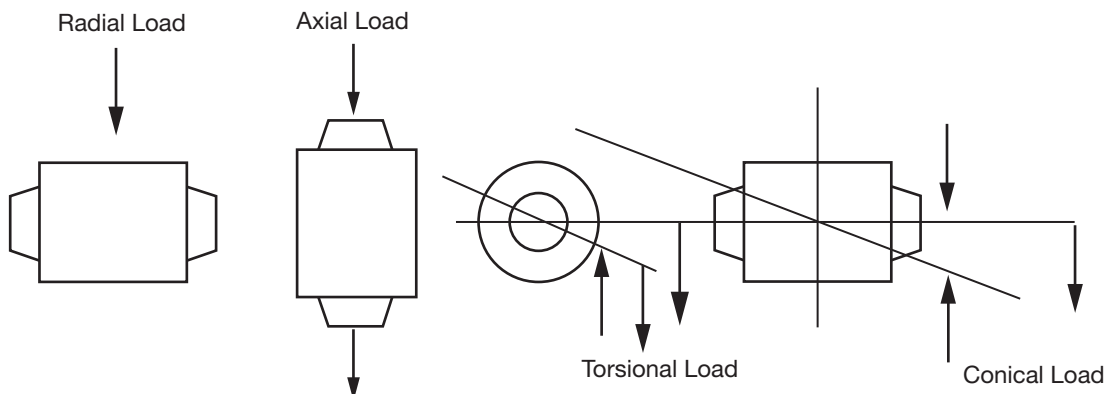
O.D Bush Dia (mm)	Housing Limit (mm)
UP to 22.0	-0.038 - 0.063
23.7 - 39.6	-0.050 - 0.076
41.2 - 50.8	-0.063 - 0.088
52.3 - 78.0	-0.076 - 0.113
80 - 125	-0.076 - 0.127

RIGID HOUSING INTERFERENCE FIT

O.D Bush Dia (mm)	Housing Limit (mm)
UP to 22.0	-0.25 - 0.50
23.7 - 28.5	-0.40 - 0.66
30.1 - 34.9	-0.63 - 0.88
36.4 - 41.2	-0.71 - 0.96
42.8 - 53.9	-0.86 - 1.11
55.5 - 70.0	-1.01 - 1.39



Part No.	NOMINAL DIMENSIONS				Weight Kg
	A	B	C	D	
A1422	10	42.3	50	35	
A2055	10.1	29.2	54.7	50.4	0.1
A2053	10.2	31	40	26.1	0.08
A2058	10.2	31	50	32.8	0.1
A1639	12.0	55.2	54.2	43.0	0.2
A1928	12.3	55.2	76	60	
S241	12.7	25.4	73.1	64.3	0.1
S19	12.7	27.0	50.8	44.5	0.1
S229	13.0	52.2	78	64.0	0.3
A1311	14.3	35.0	45.0	37.5	0.5
S154	14.3	30.1	69.7	63.5	0.2
S284	15.8	33.1	63.9	60.0	0.2
A1869	18.3	55.4	60	45.5	
A1870	18.5	51.1	60	45.0	

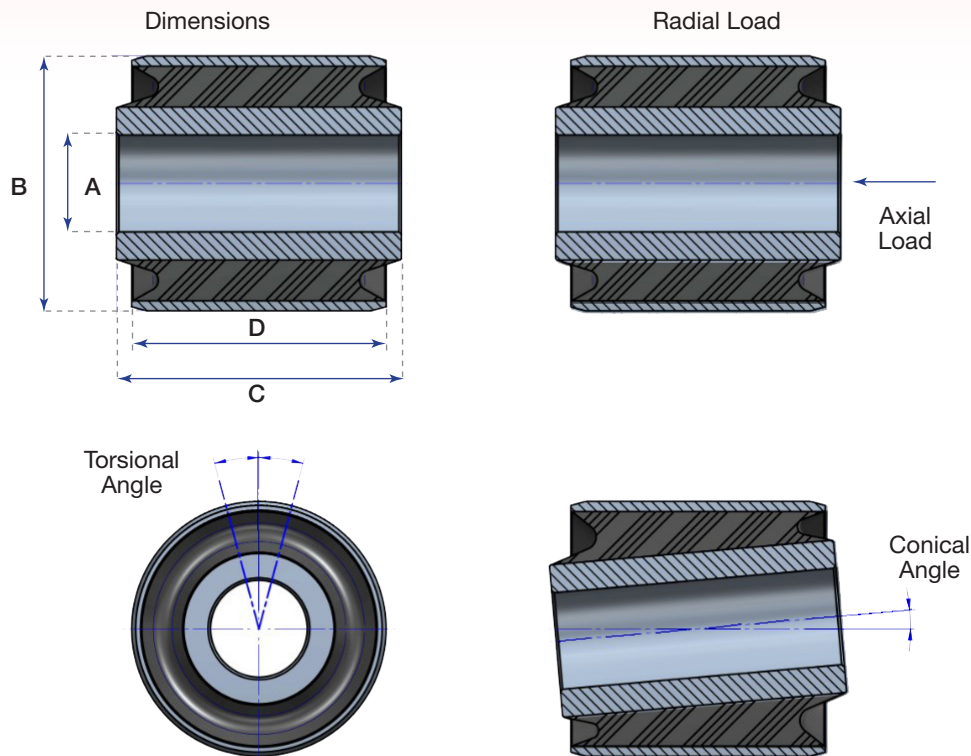


All Dimensions in Millimetres

All properties nominal, contact Mackay for Technical advice



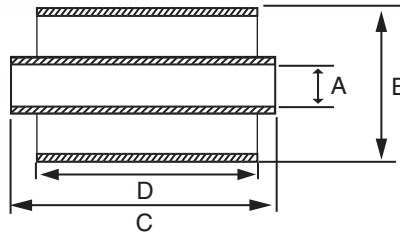
FLEXIBLE BEARINGS



Part No.	NOMINAL DIMENSIONS				TORSION MT	ANGLE TORSION	AXIAL LOAD FA		RADIAL LOAD		Weight Kg
	A	B	C	D			MAX (N)	MAX mm	FR MAX (N)	SR MAX (MM)	
M154005	10	22	30	25	7	10	500	0.9	1875	0.25	0.034
M154006	10	22	32	30	9	10	600	0.9	2250	0.25	0.038
M154168	10	25	25	20	8	10	250	1	2000	1	0.6
M154103	12	30	34	28	10	15	580	1.7	1750	0.55	0.064
M154077	12	32	59	55	19	16	1200	1.7	7000	0.65	0.131
M154104	12	40	60	40	16	20	450	1.8	1200	1	0.198
M154086	12.2	46.4	60	52	33	25	1100	2.6	3000	0.85	0.264
M154107	14	27	45	40	20	10	935	1.3	4400	0.35	0.08
M154080	16	32	30	22	14	10	750	1.3	1800	0.35	0.073
M154021	18	36	58.5	48.5	35	10	1420	1.6	7350	0.45	0.161
M154133	20	45	40	35	45	15	1600	4.8	5800	1.4	0.152
M154073	20	45	70	64	55	15	2200	2.5	10000	0.85	0.285
M154082	24	45	55	44	55	11	1840	1.8	8650	0.6	0.265
M154040	25	50	56	50	34	6.6	2900	3	10000	1	0.261
M154044	25	50	85	80	49	14	7500	7.8	18000	1.7	-
M154079	32	66	55	47	77	15	2450	3.9	8400	1.3	0.517
M154043	40	70	65	55	138	12	3320	3.6	20500	1.2	0.616
M154075	45	75	100	90	320	10	6300	3.1	35000	0.9	0.956
M154091	45	80	45	45	80	11	1500	3.3	7800	2.3	0.522
M154061	50	80	110	100	450	9	7800	2.8	1875	0.85	1.4

FLEXIBLE BEARINGS

Non-Stocked Item - Special Order Only



Part No.	NOMINAL DIMENSIONS				RADIAL		TORSIONAL	AXIAL		CONICAL	WEIGHT Kg
	A	B	C	D	STATIC LOAD Kg	DEF mm	MAX ANGLE DEGREES	STATIC LOAD KG	DEF mm	MAX ANGLE DEGREES	
M561418	8	32	23.2	18	30	0.5	35	20	1.5	6	0.04
M561205	10	22	17	15	40	0.3	25	15	0.8	6	0.02
M561207	10	22	30	25	100	0.2	20	40	1.5	3	0.03
M561613	10	27	22	17	65	0.5	30	25	1.5	3	0.03
M561213	12	25	34	30	120	0.2	20	50	0.8	3	0.05
M561250	12	25	54	50	550	0.3	20	45	0.6	1	0.09
*M861618	14	30	28	25	50	0.08	30	25	0.4	7	
M561312	16	32	28	25	140	0.2	20	50	1.6	5	0.07
M561384	20	38	42	38	230	0.2	25	75	1.0	3	0.2
M561335	20	38	59	55	300	0.15	20	150	1.0	2	0.2
M561404	20	42	42	38	300	0.3	25	90	1.5	4	0.2
M561411	24	48	44	40	160	0.3	20	110	1.5	2	0.2
M561400	24	48	58	50	350	0.3	20	120	2.0	2	0.3
M561409	28	48	66	60	400	0.15	20	190	1.1	2	0.3
M561503	32	52	66	60	600	0.15	20	260	2.2	1	0.4
M561701	42	78	86	80	1000	0.5	10	200	1.6	1	1.0
M561702	42	78	140	130	2000	0.6	20	400	2.0	1	1.7

* Bush with a lateral stop

