

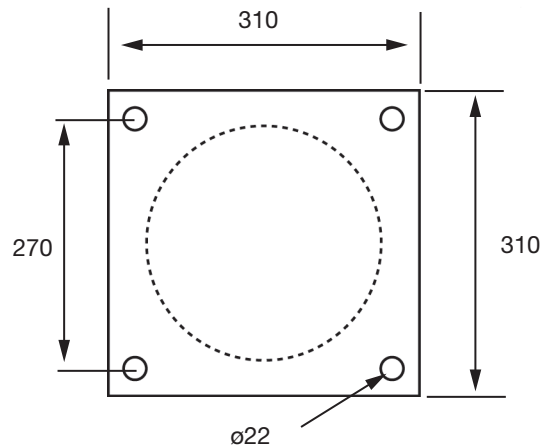
## PLATE ISOLATORS

Where you require a isolator of straight forward design to provide an uncomplicated solution to controlling vibration and shock , the range of Mackay Plate Mountings provide the answer. These isolators are designed to protect equipment and machinery from damaging vibration and shock and have an excellent capacity for energy control.

APPLICATIONS: Printing presses, Road rollers, Vibratory feeders, Shipping containers, Crushers, Shaker units, Industrial machinery.

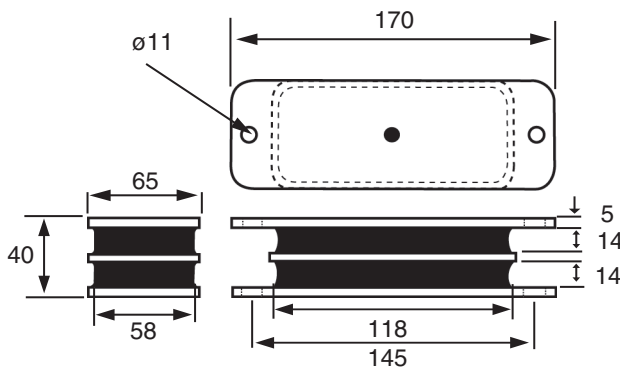


### M148208



### M2060## NO INTERMEDIATE PLATE

### M2061## WITH INTERMEDIATE PLATE



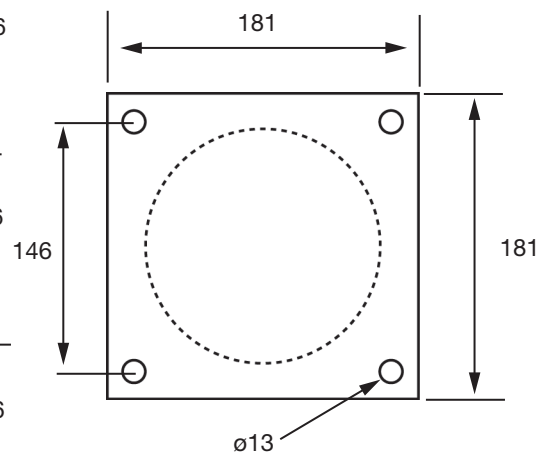
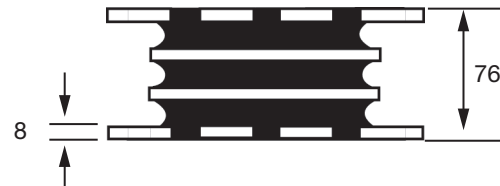
### M2110##



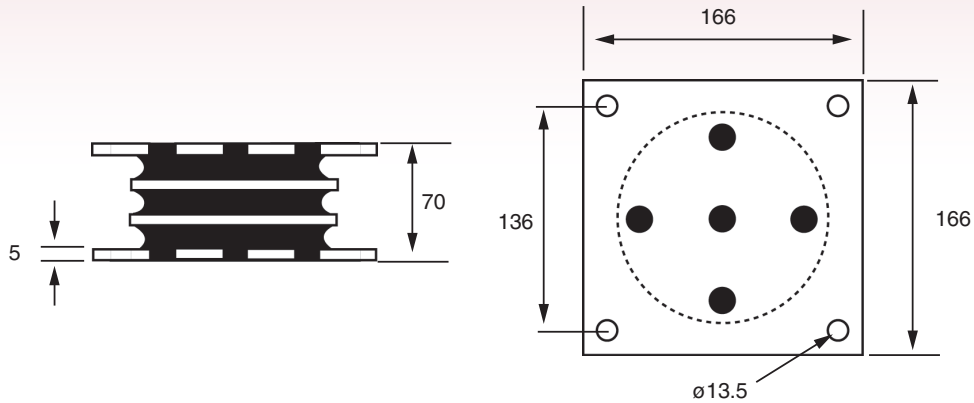
### M211160



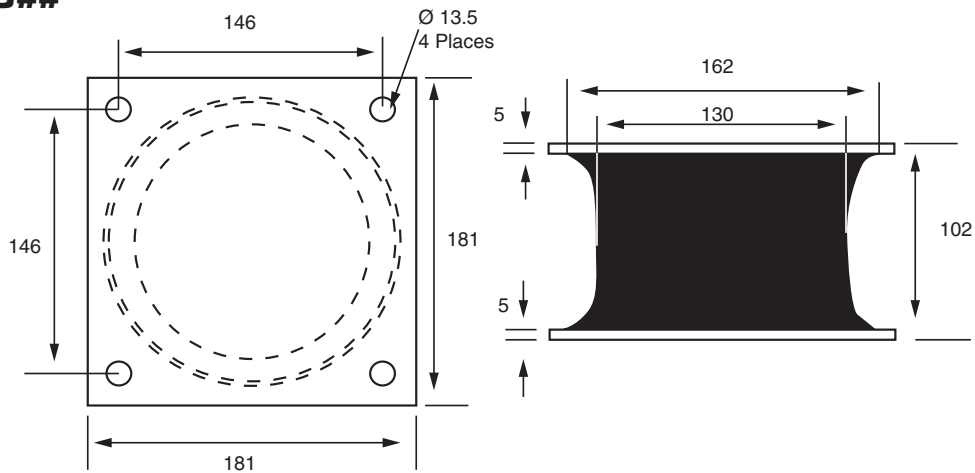
### M211260



## M2112## SAW150



## M2120##



COLOUR CODE	
M206135	GREEN
M206145	RED
M206155	YELLOW
M206165	WHITE

M206 Series (Supersedes M207, M208, M209, M210)

M206135 Substitute \* for M207

M206145 Substitute \* for M208

M206155 Substitute \* for M209

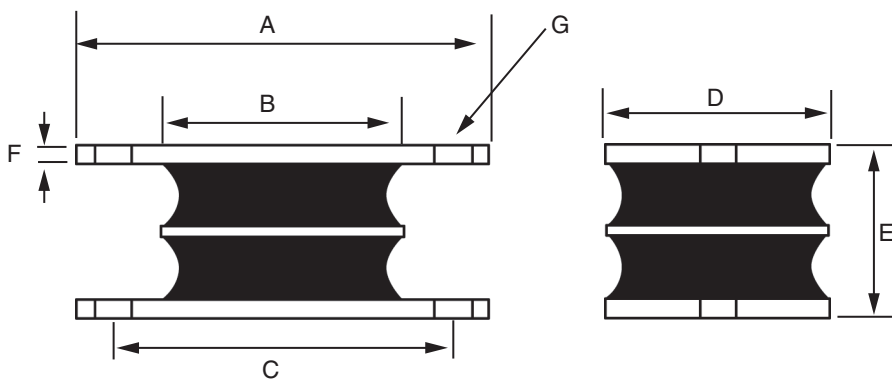
M206165 Substitute \* for M210

\* Note: Some dimensions and properties have changed

PART No.	Compression Properties		Shear Properties		Durometer	Item Weight (kg)
	Compression Load (kg)	deflection (mm)	Shear Load (kg)	deflection (mm)		
M148208	30,000	9			60	27
M206035	270	4.0	53	7	35	1.2
M206135	970	4	70	7	35	1.2
M206145	1,410	4	110	7	45	1.2
M206155	1,840	4	140	7	55	1.2
M206165	2,640	4	190	7	65	1.2
M211045	1,452	10	308	16	45	5.2
M211060	3,104	10	418	10	60	5.2
M211160	4,064	8	381	12	60	5.5
M211260	9,476	8	608	14	60	6.2
M211275SAW150	17,700	8	300	8	75	4.2
M212045	680	14	152	20	45	5
M212055	1064	14	235	20	55	5
M212065	1,765	14	390	20	65	5

A combination of shear and compression loads will affect actual properties.

## M3132250



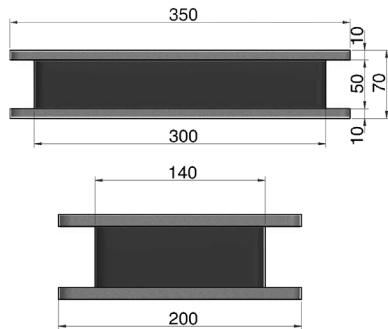
Part No.	A	B	C	D	E	F	G
MA3132250	108	63.5	89	57	43	5	10.3

Part No.	COMPRESSION LOAD Kg	DEF mm	SHEAR LOAD Kg	DEF mm	Weight Kg
MA3132250	50	0.8	16	4.0	0.6
	65	1.0	22	6.0	
	80	1.3	32	8.5	
	115	1.8	42	11.0	
	145	2.0	52	14.0	
	160	2.5			
	195	3.0			

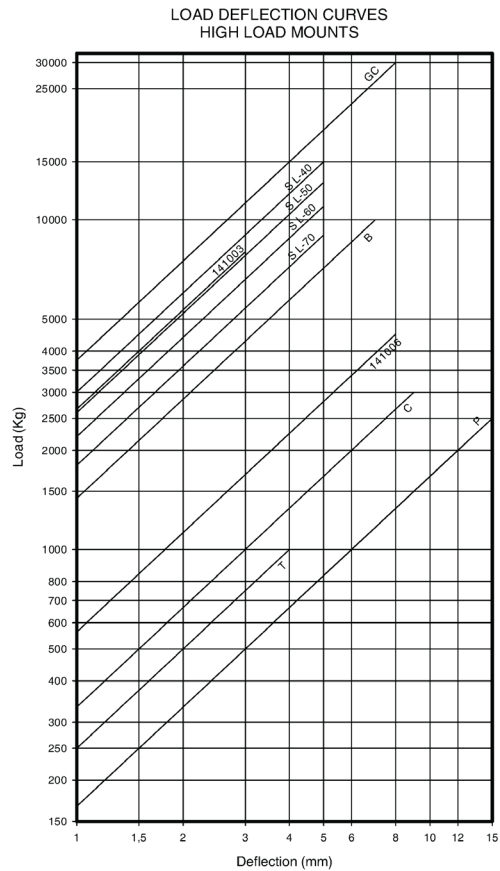
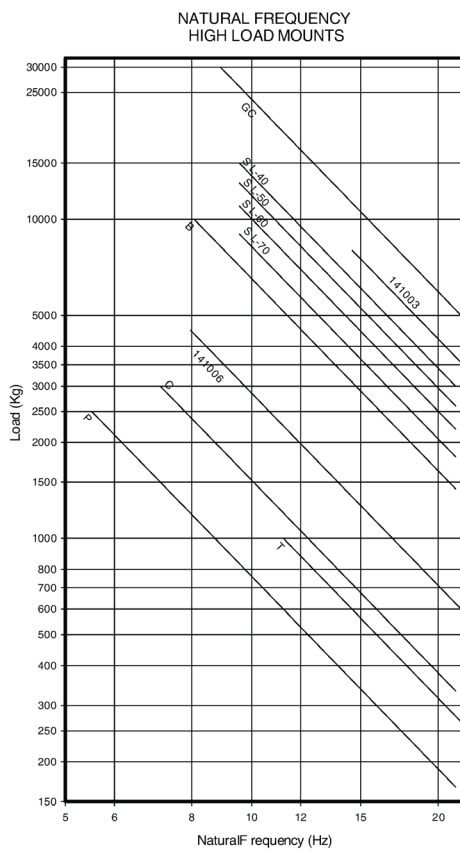
## COLOUR CODE

Duro	Colour
45	Blue
50	Pink

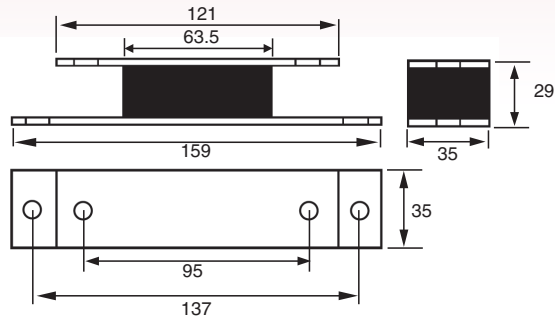
# VIBRATION ISOLATORS



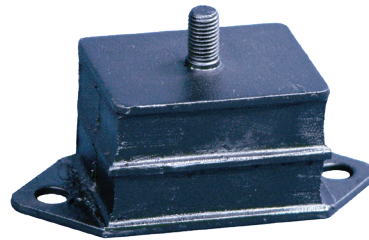
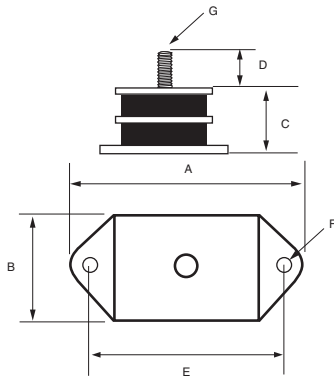
Part No.	Description	Load Kg	Weight
M141004	Plate Isolator	10000	13



## M183



Part No.	COMPRESSION		SHEAR		WEIGHT Kg
	LOAD Kg	DEF mm	LOAD Kg	DEF mm	
M183	50	1.4	5	1.1	0.3
	75	2.0	10	2.3	
	100	2.7	13	3.0	
	110	3.0			



Part No.	A	B	C	D	E	F	G	LOAD in Kg		DEF in mm		DURO	Weight Kg
								COMP	SHEAR	COMP	SHEAR		
M8040645	94	41	36	15	74.5	8.5	5/16" UNF	35-95	14-43	1.0-2.8	5.0-15.0	45	0.2
M8040660	94	41	36	15	74.5	8.5	5/16" UNF	65-175	27-70	1.0-2.8	5.0-12.0	60	0.2
M8040670	94	41	36	15	74.5	8.5	5/16" UNF	95-275	42-120	1.0-2.8	5.0-14.0	70	0.2

### COLOUR CODE:

Duro	Colour
45	Red
60	White
70	Marked 70