

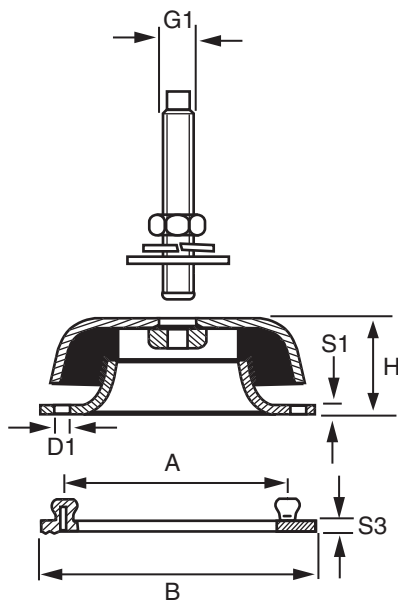
LEVELLING ISOLATOR

This range of isolators offer increased protection to the rubber in applications where this is considered necessary as well as the metal components being galvanised to protect against corrosion. They are also available with a leveling spindle to allow effortless level adjustment so that the height of machines can be set precisely. The Isolators can be used without being anchored to the floor by the use of the rubber underlay which is resistant to oil. It is suggested that before mounting the underlay that the studs are moistened with soapy water.

The isolators provide excellent isolation efficiency with equal load capacity in both compression and shear. They are suitable for applications where restraint in the horizontal position is required but good isolation is needed in the vertical plane.

The isolators are available in three sizes and three elastomer hardnesses ; 40 duro, 55 duro, 65 duro , while providing load capacity from 50kg to 2,000kg.

Typical Mount with leveling spindle and underlay.



DIMENSIONS

Part No.	DOME MOUNT						Leveling SPINDLE	
	B	A	D1	S1	H	G	Part No.	G1
M51058540	108	88	9	3	40	M12	M510LS1	M12
M51033629	168	132	13	4	50	M16	M510LS2	M16
M51058541	200	165	13	6	70	M20	M510LS3	M20

UNDERLAY			MOUNT WEIGHT	
Part No.	WEIGHT Kg	S3	Part No.	WEIGHT Kg
M510UL1	0.01	2.5	M51058540	0.7
M510UL2	0.03	3	M51033629	1.7
M510UL3	0.11	4	M51058541	4.3

VIBRATION ISOLATORS

LOAD Kg	40 Duro Deflection mm	55 Duro Deflection mm	65 Duro Deflection mm
M51058540			
50	1.11	0.65	0.45
100	2.06	1.21	0.85
150	3.02	1.67	1.21
200	3.82	2.31	1.58
250	-	2.81	1.90
300	-	3.27	2.32
350	-	3.70	2.66
400	-	-	2.98
450	-	-	3.28
500	-	-	3.57
M51033629			
100	1.13	0.63	0.42
200	2.20	1.23	0.84
300	3.23	1.82	1.24
400	4.22	2.40	1.64
500	-	2.97	2.00
600	-	3.53	2.42
700	-	4.07	2.80
800	-	-	3.17
900	-	-	3.54
1000	-	-	3.90
M51058541			
200	1.67	0.93	0.63
400	3.24	1.82	1.25
600	4.50	2.73	1.83
800	5.56	3.51	2.46
1000	-	4.20	3.02
1200	-	5.24	3.65
1400	-	-	4.22
1600	-	-	4.75
1800	-	-	5.27
2000	-	-	5.75

