

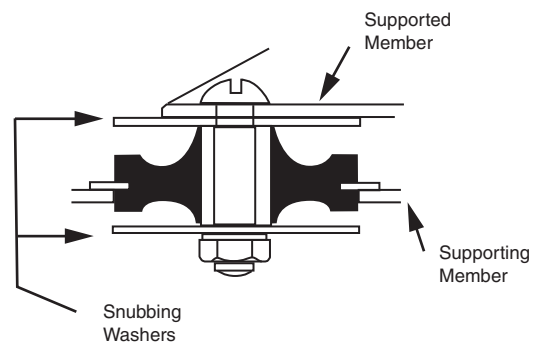
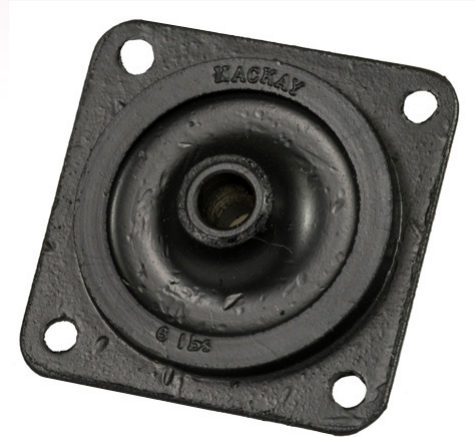
INSTRUMENT ISOLATORS

The Mackay range of instrument isolators are widely used to isolate steady static vibration and the control of occasional shock.

These mountings are easy to install and are in configurations to suit a variety of design requirements. It is generally recommended that snubbing washers be used to provide an interlocking system of metal parts which act to prevent damage from overload or excessive shock impact.

The snubbing washers act to restrict axial movement when space limitations must be considered, but they have no other effect upon the action or efficiency of the mounting.

This type of isolator is particularly suitable for the isolation of noise transmission and similar high frequency vibration.

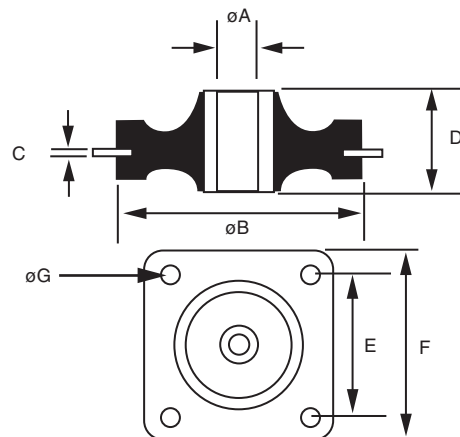


Note: snubbing washes are not supplied by Mackay Consolidated Industries

DIMENSIONS

	M116
A	6
B	38
C	1.2
D	16
E	35
F	44
G	4

Part No.	LOAD Kg	DEF. mm	WEIGHT Kg
M1164	1.8	1.5	0.03
M1166	2.7	1.5	0.03
M1168	3.6	1.5	0.03
M11612	5.4	1.5	0.03



ANNULAR ISOLATORS

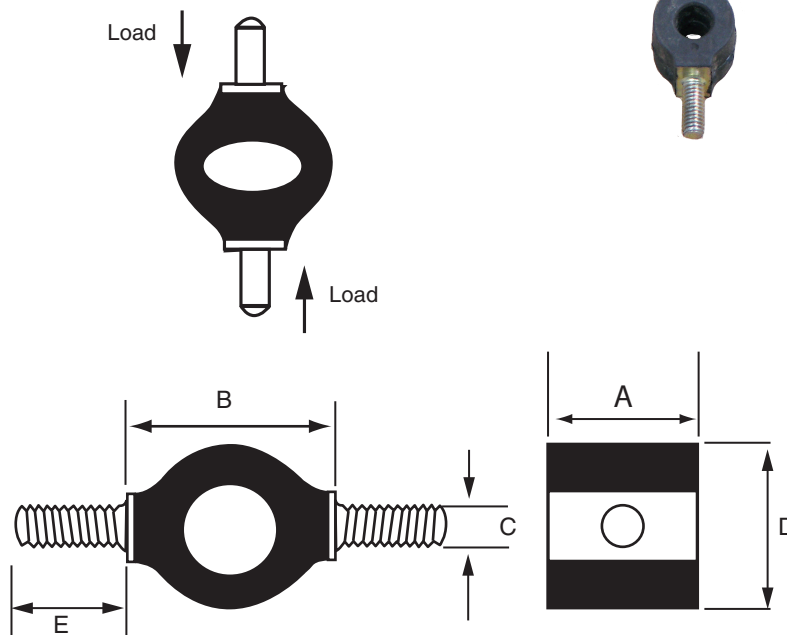
REPLACES HY-DEFLECTION - LOW FREQUENCY ISOLATORS

These anti-vibration isolators provide large deflections under small loads. They are employed for protecting instruments and apparatus from transmitted vibration and shock as well as vibration from light machines and equipment. They are normally fitted to take loads in compression or shear. Continuous loading in tension is not recommended although the occasional shock load which places the rubber in tension can be permitted. In compression, shock loads severe enough to close the centre hole can be taken with safety.

Low frequency instrument isolators are made in two sizes, each with a range of Duros available in each size.



Radial Compression Loading



Part No.	A	B	C	D	E	Marking	Load Kg	Deflection mm
M130001	14	18	M4	14	8	Red	2.5	1
M130002	24	30	M8	29	20	Red	8	6
M130003	14	18	M4	14	8	Green	1.25	1.5
M130004	24	30	M8	29	20	Green	3.5	6
M130004SS304 *	24	30	M8	29	20		3.5	6

*Made Using Type 304 Stainless Steel