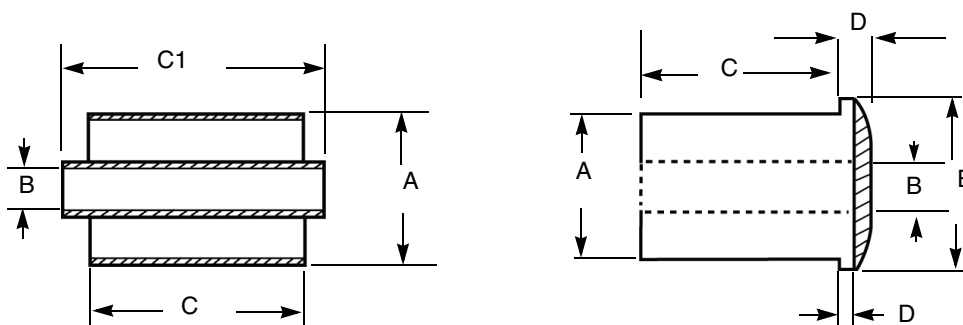


Part No	Outside DIA mm (A)	Inside DIA mm (B)	Outside Sleeve Length mm (C)	Inside Sleeve Length mm (C1)	Flange Width mm (D)	Flange Diameter mm (E)
S198U*	19.50	11.00	22.10		8.00	24.70
S198	20.00	11.00	25.00		8/10	24.00
A1701U*	20.00	11.00	20.00		17.00	38.00
S364U*	21.00	18.00	3.80		9.50	40.00
S112U*	21.50	13.00	19.70		3.30	25.00
S161U*	21.70	12.70	31.00		4.00	25.00
S109	22.00	12.70	23.50		5.00	25.00
S161	22.00	12.70	30.50		5.00	25.00
S211	22.00	12.70	32.00		8/10	25.00
S211U*	22.00	12.70	38.50		7.50	25.00
S301U*	22.20	13.00	20.00		7.00	25.50
S112	22.50	12.70	20.00		4.00	25.00
A917	22.50	12.70	23.50		5.00	25.00
A1229	22.60	12.70	47.00		6.00	28.00
S242U*	23.00	11.00	23.00		6.00	28.00
S302U*	23.00	11.00	37.00		6.00	28.00
S242	23.00	11.20	25.00		8.00	28.00
S252	23.60	10.00	25.60		6.00	29.00
S252U*	24.00	10.00	26.00		4.50	29.00
A1563U*	24.00	12.00	30.50		4.50	29.00
S197	24.00	12.70	31.00		9.00	28.00
S250	24.00	13.00	26.50		6.0	28.50
S277U*	24.30	10.00	37.00		6.50	29.00
A1568U*	24.30	10.00	25.00		6.50	29.00
S182	24.50	12.70	26.50		3.50	28.00
S230	24.50	15.00	35.00		6.00	30.00
S197U*	24.80	12.70	26.00		5.00	32.00
S300U*	25.00	12.70	37.00		8.00	34.00
S183	25.00	12.70	25.00		6/10	28.00
S182U*	25.00	12.90	24.50		6.00	32.00
S368U*	25.00	14.80	25.00		3.20	34.10
S230U*	25.00	15.00	33.00		4.50	30.00
S204U*	25.00	16.00	32.00		5.00	32.50
S241U*	25.00	16.00	31.00	73.10	4.50	33.00
S307U*	25.40	12.70	28.00		7.00	34.00
S308U*	25.40	12.70	30.30		6.30	34.00
S241	25.40	12.90	64.50	73.20		
S312U*	25.50	13.00	33.50		10.00	33.00
A1739U*	26.50	18.00	33.50		6.50	37.00
S19	27.00	12.70	44.50	50.8		
S317U*	27.00	16.00	35.00		6.00	32.50
A1747U*	27.00	17.60	26.00		5.00	35.00
S356U*	28.00	15.00	29.00		5.00	35.00
S316U*	28.00	16.00	42.00		5.70	34.00



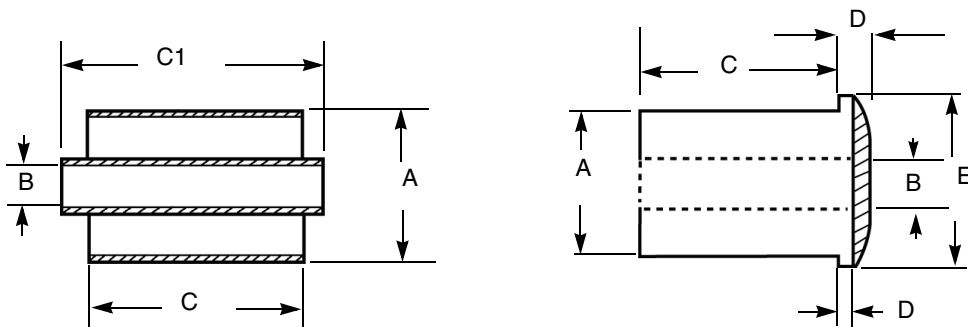
SHACKLE BUSH SIZE CHART

Sorted by Outside DIA



Part No	Outside DIA mm (A)	Inside DIA mm (B)	Outside Sleeve Length mm (C)	Inside Sleeve Length mm (C1)	Flange Width mm (D)	Flange Diameter mm (E)
S318U*	28.00	16.00	32.30		5.70	34.00
S273	28.00	18.00	35.00		9.00	32.00
A1598U*	28.50	12.60	20.00		8.45	38.00
S337U*	28.50	19.00	27.00	70.00	6.00	38.50
S152U*	29.00	18.00	84.00	93.20	4.50	33.00
S342U*	29.00	19.00	27.00	70.00	6.00	39.00
A1740U*	29.50	18.00	39.50		8.00	40.00
S248	29.50	18.00	30.00		5.00	35.00
S281U*	29.60	12.50	23.00		5.50	37.50
S281	29.60	12.70	32.00		5.00	37.50
S292	29.70	15.90	38.00		5.00	35.00
A2058	30.00	10.00	33.00	50.00		
S362U*	30.00	14.90	24.00		4.00	36.00
S325U*	30.00	15.00	30.50		4.00	38.00
S231	30.00	17.80	35.00		5.50	35.00
S293	30.00	18.00	50.00		5.00	35.00
S248U*	30.00	18.00	28.50		5.00	37.00
S360U*	30.00	18.00	34.50		5.50	25.00
S369U*	30.00	18.00	27.50		5.50	44.00
S231U*	30.00	18.00	33.50		5.50	35.50
S293U*	30.00	18.00	47.00		5.00	36.00
S295	30.00	18.00	30.00		5.00	36.00
S154U*	30.00	18.50	66.00		3.00	33.00
A1730U*	30.00	22.00	23.00		18.00	50.00
S154	30.20	14.30	64.00	70.20		34.00
A2053	31.00	10.00	26.00	40.00		
A1515U*	31.15	16.00	40.50		6.50	35.00
S333U*	31.50	16.00	40.00		6.00	40.00
A1219	31.50	17.00	36.00		7.00	37.00
S341U*	32.00	9.00	36.00		6.00	38.00
S313U*	32.00	16.00	32.00		6.00	38.00
S344U*	32.00	18.00	29.50		5.00	38.00
S348U*	32.00	18.00	29.00		4.50	40.00
S324U*	32.00	18.00	32.50		6.00	38.00
S335U*	32.00	19.00	37.00		6.00	46.00
S336U*	32.00	19.00	32.50		6.00	46.00
S321U*	32.00	20.00	32.00		7.50	37.00
A1219U*	32.00	22.00	34.00		5.00	38.00
S343U*	32.00	22.00	33.00		6.00	45.00
S291	33.00	15.00	30.00		6.00	38.00
S262U*	33.00	15.30	28.50		4.00	40.00
S284	33.00	15.80	60.00	64.00		
S260U*	33.00	16.00	31.00		8.00	38.00
S288	33.00	18.00	30.50		6.00	38.00
S287U*	33.00	18.00	43.00		5.50	38.00
S314U*	33.00	18.00	32.00		6.00	39.00
S287	33.00	19.00	44.00		6.00	38.00
S286U*	33.00	19.50	28.00		2.20	42.00
S319U*	33.00	20.00	29.00		4.00	40.00
S322U*	33.00	20.25	27.00		3.00	40.00
S260	33.20	16.00	32.00		10.00	35.70
S288U*	33.30	18.00	27.00		5.60	42.00
A1567U*	34.00	10.00	27.00		6.00	39.00
S326U*	34.00	12.70	31.00		5.50	41.00
S331U*	34.00	18.00	24.00		6.00	43.00
S332U*	34.00	22.00	30.00		6.50	43.00
S201	34.50	14.30	25.00		9/13	38.00
S339U*	34.50	19.00	36.00	89.00	6.00	47.20
S233	34.70	14.30	31.50		8/13	41.00
S254	34.70	18.00	35.00		7.00	43.00

Part No	Outside DIA mm (A)	Inside DIA mm (B)	Outside Sleeve Length mm (C)	Inside Sleeve Length mm (C1)	Flange Width mm (D)	Flange Diameter mm (E)
S345U*	34.75	21.70	43.00		6.00	44.50
S358U*	35.00	13.00	33.50		9.50	48.00
S244U*	35.00	13.00	24.00		6.20	42.00
S210U*	35.00	14.00	62.00		6.00	41.00
S233U*	35.00	14.30	31.00		9.00	41.00
S201U*	35.00	14.30	25.00		9.00	40.00
A1681U*	35.00	15.00	48.00		5.50	40.40
S254U*	35.00	18.20	32.50		7.00	44.00
A1682U*	35.00	24.20	31.50		6.50	44.00
S253	36.00	19.05	64.00	78.50	NOTE : NO OUTER METAL SLEEVE	
S296U*	37.00	18.50	83.00	93.00	4.50	41.00
S347U*	37.40	25.00	34.50		6.50	46.00
A1901U*	38.00	18.00	21.00		5.00	55.00
S310U*	38.00	19.00	35.50		11.50	47.00
S309U*	38.00	19.00	35.00		5.00	47.00
S294	39.00	18.00	36.00		8.00	49.50
S323U*	39.50	16.00	34.00		5.00	50.00
S256	39.50	17.80	36.50		5.00	45.00
A1566U*	40.00	13.00	25.50		5.00	43.00
S261U*	40.00	17.00	30.00		6.00	47.50
S294U*	40.00	18.00	32.00		7.50	54.00
S349U*	40.00	18.00	39.30		6.30	29.00
S285U*	40.00	18.00	26.00		7.50	53.00
S256U*	40.00	18.00	31.00		4.00	45.00
S329U*	40.00	19.00	24.00	65.50	7.00	49.00
S350U*	40.00	19.00	26.00	69.00	6.80	52.50
S353U*	40.00	21.00	41.00		8.00	50.00
S359U*	40.00	22.22	32.00		3.00	52.00
S257	40.00	22.80	37.50		7.50	48.00
S257U*	40.00	23.00	37.00		6.50	48.00
S315U*	40.50	18.80	24.00	66.00	7.60	48.00
S290	41.00	18.00	31.00		7.00	47.00
S340U*	41.00	19.00	30.00	76.00	6.00	51.00
S338U*	41.50	22.00	37.00	89.00	6.00	51.00
S352U*	43.00	22.00	30.00		3.50	50.00
A1886U*	44.25	22.00	32.75		2.00	49.00
A1761U*	45.00	18.00	35.00		5.00	53.00
S346U*	45.00	30.00	49.50		6.00	54.00
S299U*	47.00	19.00	32.50		7.50	40.00
S328U*	47.00	19.00	24.00		7.50	52.00
S303U*	50.00	12.70	24.00		14.00	58.00
S330U*	50.00	21.50	62.00	79.00	7.50	54.00
A1885U*	50.28	19.80	25.54		2.04	55.08
S235U*	50.50	19.00	32.00		4.00	56.00
S202U*	50.80	16.90	34.50		9.50	62.00

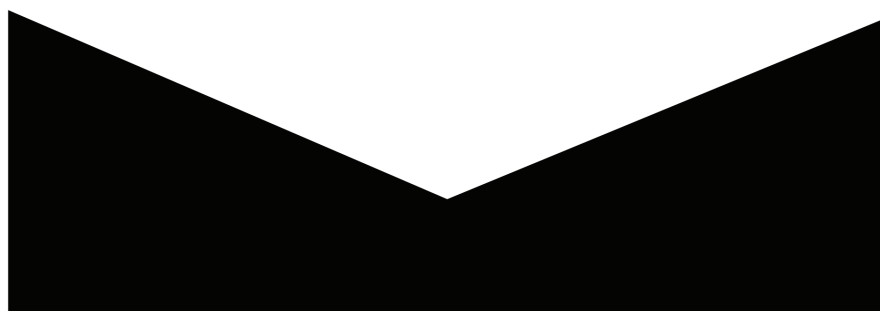


SHACKLE BUSH SIZE CHART

Sorted by Outside DIA



Part No	Outside DIA mm (A)	Inside DIA mm (B)	Outside Sleeve Length mm (C)	Inside Sleeve Length mm (C1)	Flange Width mm (D)	Flange Diameter mm (E)
S236U*	51.00	19.00	28.00	67.00	4.00	56.00
S229U*	51.00	19.00	30.00	78.00	8.00	62.00
S229	52.20	12.70	63.50	78.10		



M A C K A Y