

DRAWBAR RESILIENT SLACK ADJUSTER

RAIL

PRODUCTS & SERVICES

- Primary suspension elements. Locomotives and passenger rolling stock.
- Secondary suspension elements. Locomotives and passenger rolling stock.
- Coil spring resilient pads.
- Traction pads.
- Engine and transmission raft suspensions.
- HVAC system resilient mounts and Seals
- Sterable bogie elements.
- Shock absorber support bushes.
- Drawbar, resilient slack adjuster wedges.
- General products

CAPABILITIES

- FEA design and validation.
- Unigraphics CAD design.
- Analysis for Modal vibration studies.
- NATA certified laboratory.
- Full formulation development and testing.
- Broad range of rubber processes.

QUALITY ASSURANCE

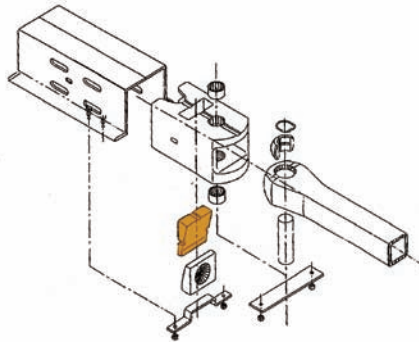
- ISO 9001
- ISO 1401
- ISO/TS 16949



Used wagons imported from the USA Pacific National experienced a significant level of derailment. The cause of these derailments was jamming of the drawbar slack adjusters when track conditions were suboptimal.

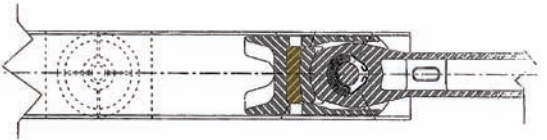
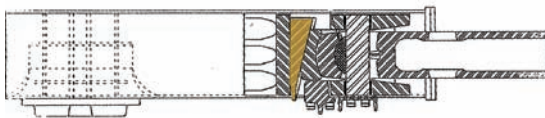
Initial efforts to overcome jamming problems by use of resilient elements were partially effective and suffered from poor durability.

Mackay became involved in redesign of the resilient wedges and achieved life-time increases of over 100%. Current work will increase lifetime by at least a further 100%



STAND ALONE DRAWBAR - SIDE VIEW

STAND ALONE DRAWBAR - TOP VIEW



Pacific National
 Wagon: RQZY / RRZY
 Low well wagons
 Double stacked
 Gauge: Standard
 Constructor: McConway/Torley



Worldwide
 Engineered
 Rubber
 Products

260 Chesterville Rd, Moorabbin, Victoria, 3189, Australia
 Phone: + 61 3 9555 6500 Fax: + 61 3 9276 8882
www.mackayrubber.com.au Email: rail@mackayrubber.com.au

COUPLER REPLACEMENT PARTS

RAIL

PRODUCTS & SERVICES

- Primary suspension elements. Locomotives and passenger rolling stock.
- Secondary suspension elements. Locomotives and passenger rolling stock.
- Coil spring resilient pads.
- Traction pads.
- Engine and transmission raft suspensions.
- HVAC system resilient mounts and Seals
- Sterable bogie elements.
- Shock absorber support bushes.
- Drawbar, resilient slack adjuster wedges.
- General products

CAPABILITIES

- FEA design and validation.
- Unigraphics CAD design.
- Analysis for Modal vibration studies.
- NATA certified laboratory.
- Full formulation development and testing.
- Broad range of rubber processes.

QUALITY ASSURANCE

ISO 9001
ISO 1401
ISO/TS 16949



CERTIFIED QUALITY MANAGEMENT SYSTEM
ISO 9001



CERTIFIED ENVIRONMENTAL MANAGEMENT SYSTEM
ISO 14001



ISO TS 16949



C-Springs
SMRT Singapore



Pedestal Mount
SMRT Singapore



Worldwide
Engineered
Rubber
Products

260 Chesterville Rd , Moorabbin , Victoria, 3189, Australia
Phone: + 61 3 9555 6500 Fax: + 61 3 9276 8882
www.mackayrubber.com.au Email : rail@mackayrubber.com.au